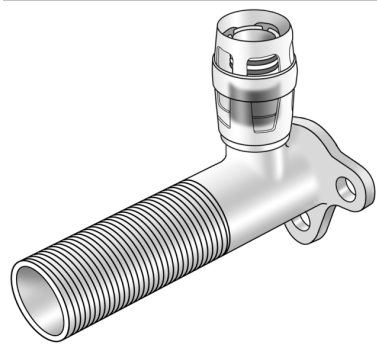


# KELOX®

## KMP481 KELOX-PROTEC wall bracket 90° with 50mm male thread 20x1/2"x50

73256D02

### Areas of application



Plug-in wall bracket with 50 mm male thread, made of non-porous metallized brass incl. support sleeves, O-rings, withdrawal barriers and protector rings as an insertion locking device

Overall height:

1/2" - 85mm

### Approvals:



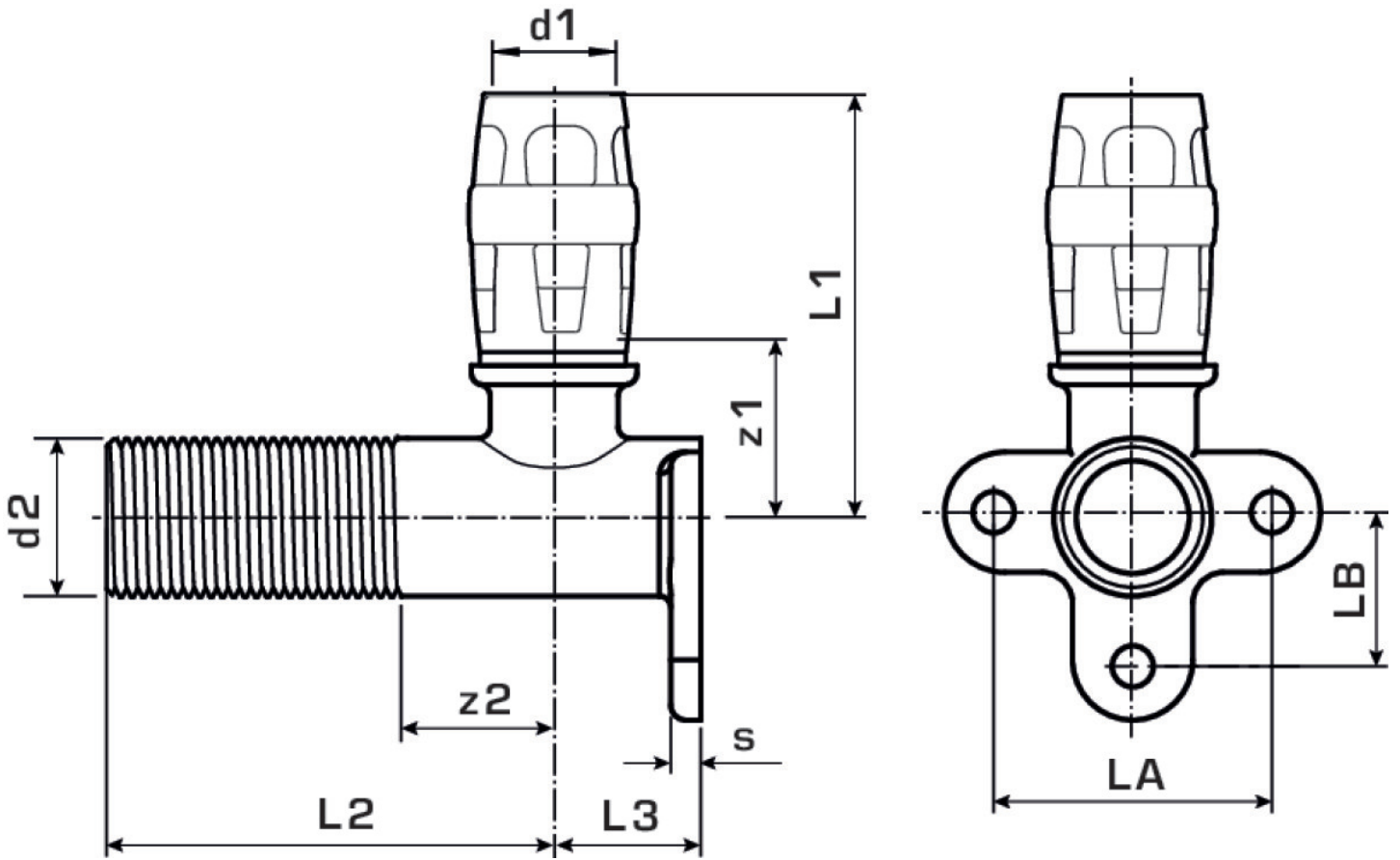
# Specifications

## Article information

port 1	Plug-in
design	Knee
SVGW	1209-6082
DVGW	DW-8501CM0535
ÖVGW	W 1.235

## Product information

VPE1	10,00 SA1
VPE2	60,00 KT1
weight	0,196 KGM
text	KELOX-PROTEC wall bracket 90° with 50mm male thread
INTRNR	74122000
main material group	KELOX
material group	KELOX-PROtec pushfittings
code	KMP481



Art. No	label	d1 mm
73256D02	20x1/2"x50	20