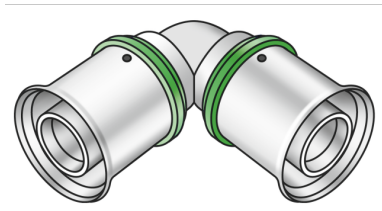


STEELOX

SMX420 ?STEELOX 90° elbow 25

57103EE0

Areas of application



?Press-fit 90° elbow for changing direction with a minimal radius, made of dezincification-resistant brass (DZR), incl. support sleeves with O-rings and stainless steel pressing sleeves, "leak before pressed"

Approvals:



KE KELIT GmbH

A 4020 Linz, Ignaz-Mayer-Straße 17, Austria, Europe

PHONE +43 (0) 50 779 E-MAIL office@kekelit.com

www.kekelit.com

Specifications

Article information

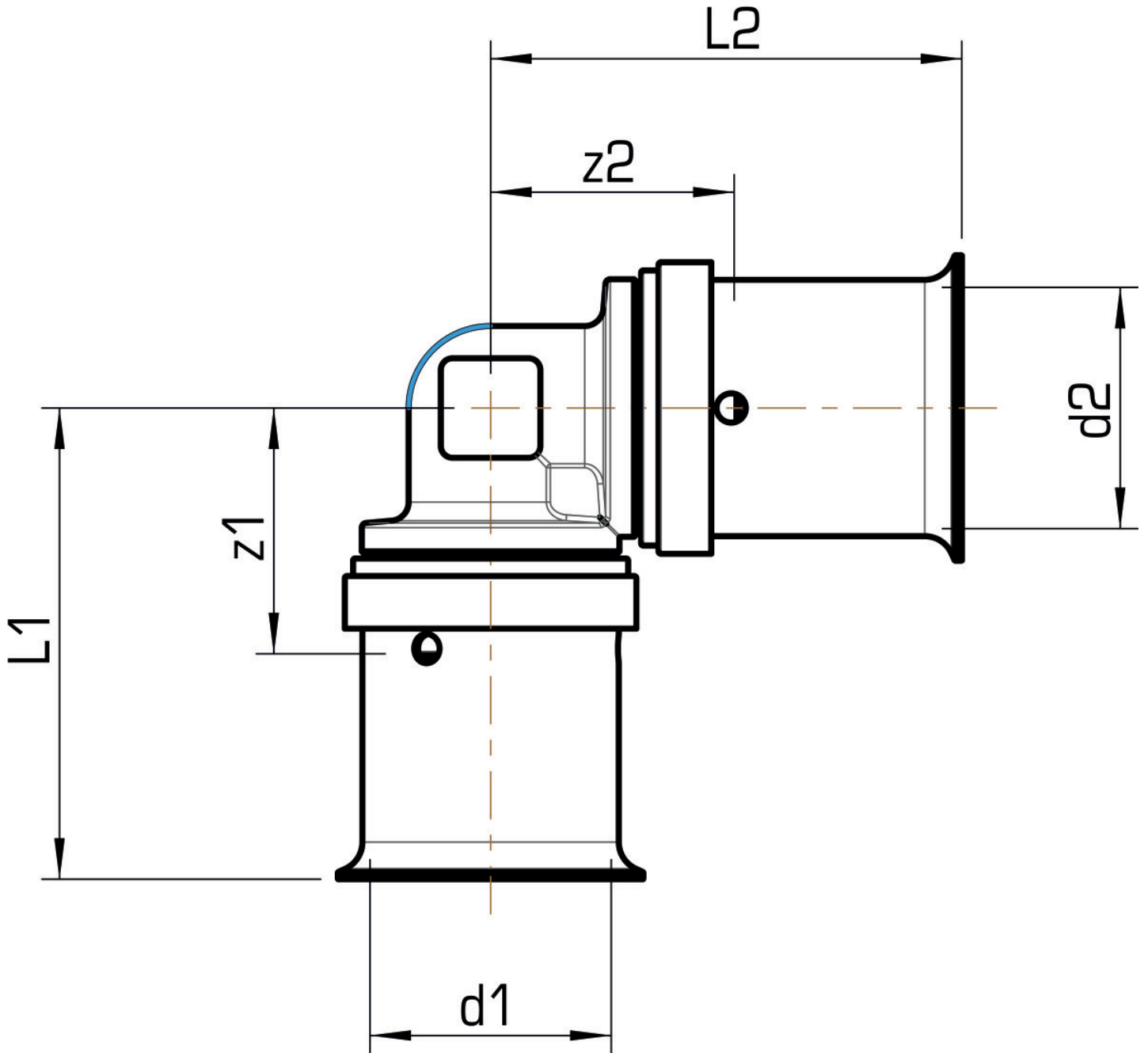
port 1	Pressing socket
port 2	Pressing socket
execution	1-part
design	Knee
angle	90 °
press contour	SX

Technical properties

maximum working pressure at 20 ° C	10 bar
------------------------------------	--------

Product information

VPE1	10,00 SA1
VPE2	80,00 KT1
weight	0,1580 KGM
text	?STEELOX 90° elbow
INTRNR	74122000
code	SMX420



Art. No	label	d1 mm	d2 mm	L1 mm	L2 mm	z1 mm	z2 mm
57103EE0	25	25	25	51	51	17	17