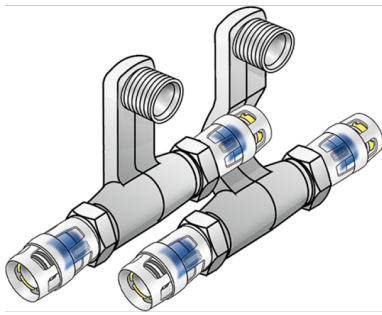


KELOX

KMP435X KELOX-PROTEC CLIX skirting board connecting set 25x1/2"x25

730155EE2

Areas of application



Skirting board radiator connecting set with PROTEC press-fit adapters; made of non-porous metallised brass, incl. push-on sleeve made of transparent polyamide with an insertion click sound, as well as haptic and optical insertion indicator, O-rings, withdrawal barriers and a protector ring as an insertion locking device with 1/2" male thread radiator connections

Approvals:



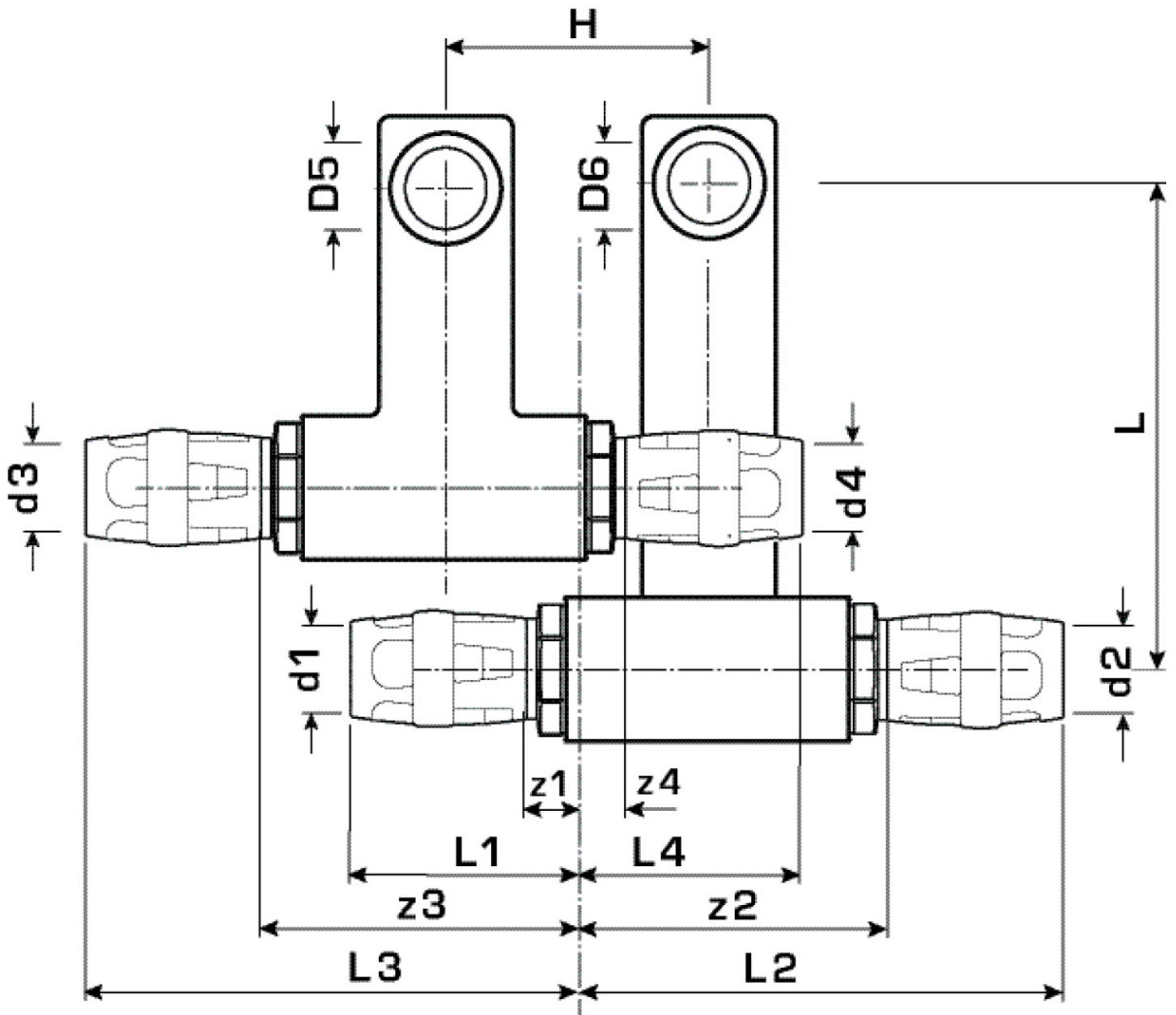
Specifications

Article information

| | |
|-----------|----------------|
| port 1 | Plug-in sleeve |
| port 2 | Plug-in sleeve |
| execution | Miscellaneous |

Product information

| | |
|---------------------|---|
| VPE1 | 1,00 SA1 |
| VPE2 | 10,00 KT1 |
| weight | 0,9380 KGM |
| text | KELOX-PROTEC CLIX skirting board connecting set |
| INTRNR | 74122000 |
| main material group | KELOX |
| material group | KELOX-PROtec pushfittings |
| code | KMP435X |



| Art. No | label | d5 Inche | d6 Inche | d1 mm | d2 mm | d3 mm | d4 mm | L1 mm | L2 mm | L3 mm | L4 mm | z1 mm | z2 mm | z3 mm | z4 mm | h mm |
|---------|-------|--------------|--------------|----------|----------|----------|----------|----------|----------|----------|----------|----------|----------|----------|----------|---------|
| 73015 | 25x1/ | 1/2" (15) | 1/2" (15) | 25 | 25 | 25 | 25 | 50 | 105 | 105 | 50 | 10 | 65 | 65 | 10 | 95 |