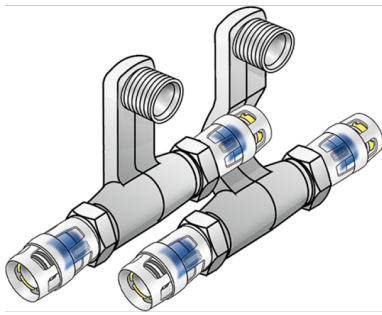


KELOX

KMP435X KELOX-PROTEC CLIX skirting board connecting set 16x1/2"x20

730155BD2

Areas of application



Skirting board radiator connecting set with PROTEC press-fit adapters; made of non-porous metallised brass, incl. push-on sleeve made of transparent polyamide with an insertion click sound, as well as haptic and optical insertion indicator, O-rings, withdrawal barriers and a protector ring as an insertion locking device with 1/2" male thread radiator connections

Approvals:



KE KELIT GmbH

A 4020 Linz, Ignaz-Mayer-Straße 17, Austria, Europe

PHONE +43 (0) 50 779 E-MAIL office@kekelit.com

www.kekelit.com

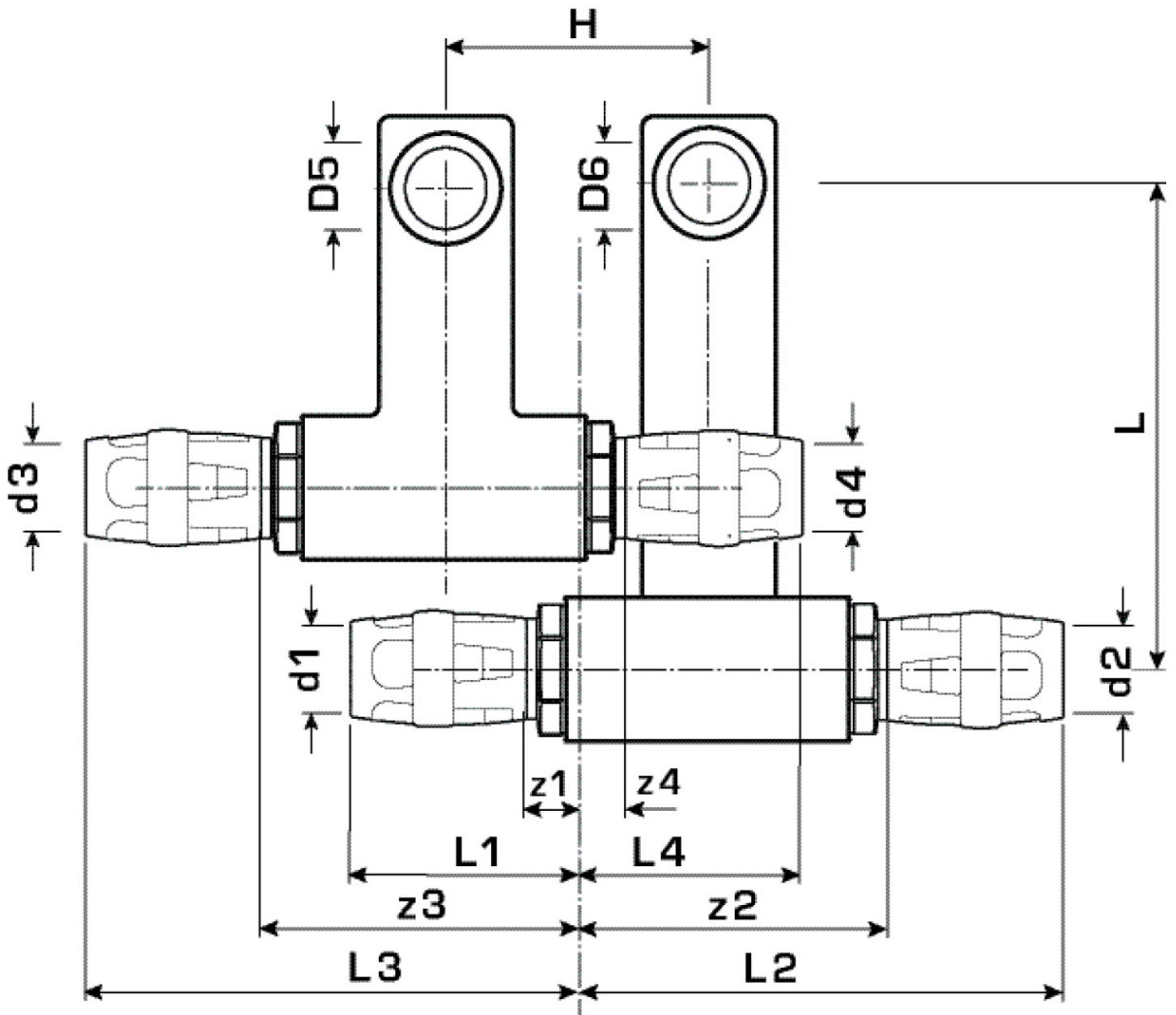
Specifications

Article information

port 1	Plug-in sleeve
port 2	Plug-in sleeve
execution	Miscellaneous

Product information

VPE1	1,00 SA1
VPE2	10,00 KT1
weight	0,7750 KGM
text	KELOX-PROTEC CLIX skirting board connecting set
INTRNR	74122000
main material group	KELOX
material group	KELOX-PROtec pushfittings
code	KMP435X



Art. No	label	d5 Inche	d6 Inche	d1 mm	d2 mm	d3 mm	d4 mm	L1 mm	L2 mm	L3 mm	L4 mm	z1 mm	z2 mm	z3 mm	z4 mm	h mm
73015	16x16	1/2" (15)	1/2" (15)	16	20	16	20	43	95	95	43	10	62	60	10	95