

KELOX

KMU134 KELOX-ULTRAX protective-jacket pipe 16x2

7021164

Areas of application



?KELOX-ULTRAX multilayer pipe for CLIMATEFIX conforming to ÖNORM EN ISO 21003, an oxygen-tight and water vapour diffusion-resistant 5-layer PE-RT/Al/PE-RT composite pipe, with a factory-applied protective cover made of visco-plastic PE film, free from halogenated or partially halogenated blowing agents and hexabromocyclododecane (HBCD)

Application area: 60°C - tmax 70°C/10 bar

Protective jacket thickness: 4mm

Colour: green

Supplied in coils

ATTENTION: This is NOT a drinking water and radiator connection pipe!

Approvals:



KE KELIT GmbH

A 4020 Linz, Ignaz-Mayer-Straße 17, Austria, Europe

PHONE +43 (0) 50 779 **E-MAIL** office@kekelit.com

www.kekelit.com

Specifications

Article information

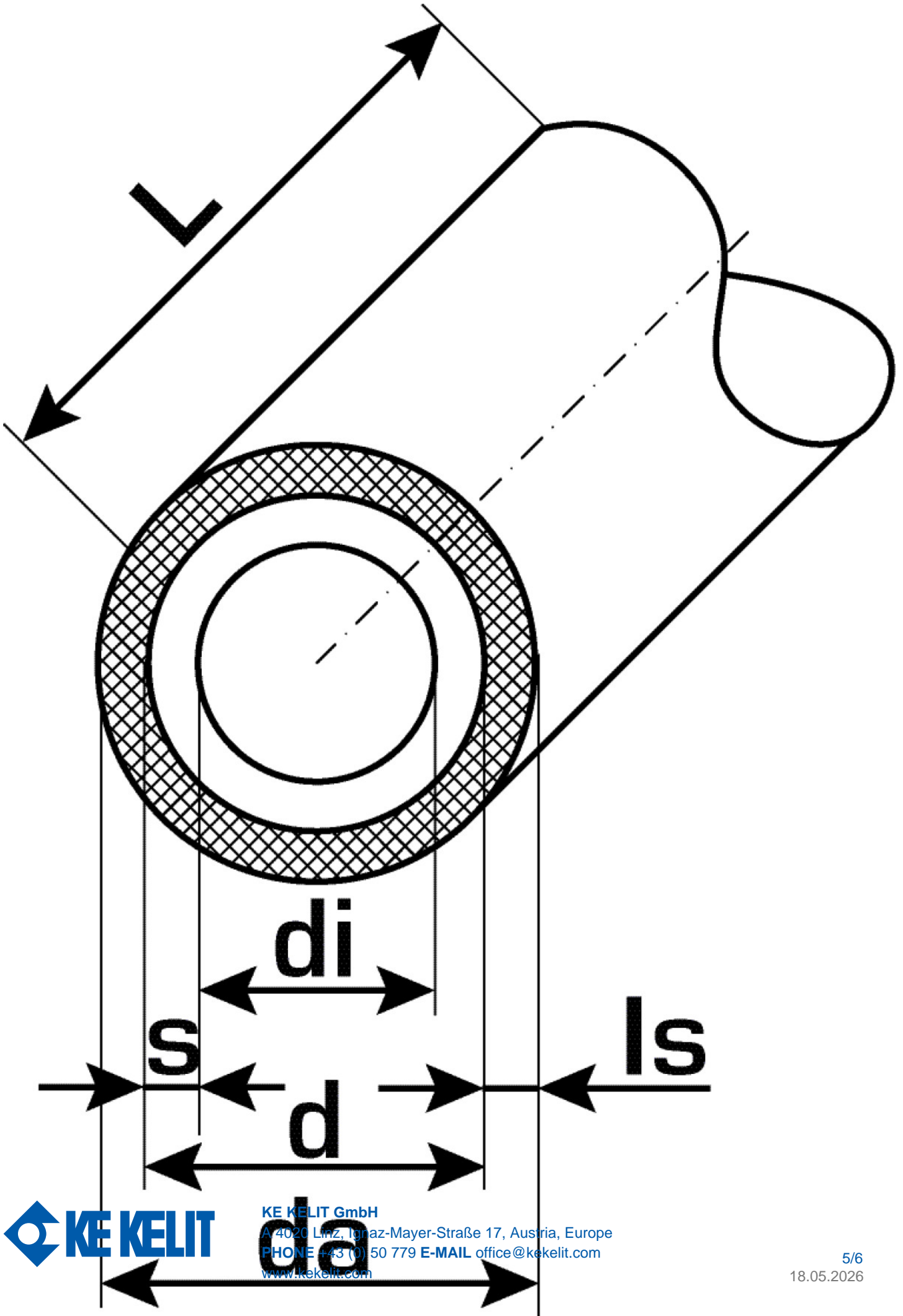
color	White
colour isolation	Green
flexible	1
trade length	50 m
isolation	1

Technical properties

maximum working pressure at 20 ° C	10 bar
thick thermal insulation	4 mm
pipe contents	0,113 l/m
lambda pipe	0,45 W/(m.K)
wall rawness	0,007 mm
expansion coefficient	0,025 mm/(m.K)

Product information

VPE1	50,00 ROL
VPE2	900,00 PAL
L	50 m
weight	0,1240 KGM
text	KELOX-ULTRAX protective-jacket pipe
INTRNR	39173900
main material group	KELOX
material group	KELOX-ULTRAX insulated pipes
code	KMU134



Art. No	label	d1 mm	d Jacket tube mm	pipe contents l/m	s mm
7021164	16x2	16	24	0,113	2



KE KELIT GmbH

A 4020 Linz, Ignaz-Mayer-Straße 17, Austria, Europe

PHONE +43 (0) 50 779 **E-MAIL** office@kekelit.com

www.kekelit.com