

# KELEN PP-RCT

## KE13 KELEN PP-RCT adapter female 40x5/4"S

2589001

### Areas of application



KELEN PP-RCT Polyfusion welding fitting for connecting pipes with fittings made of the same material (no reduction of internal diameter), with injected female thread made of dezincification-resistant brass, non-porous metal plating, threads conform to ÖNORM EN 10226

System parts marked with an "S" are produced with a wrench attachment connection

Do NOT connect to threaded pipes or to cast iron fittings!

### Approvals:



KE KELIT GmbH

A 4020 Linz, Ignaz-Mayer-Straße 17, Austria, Europe

PHONE +43 (0) 50 779 E-MAIL [office@kekelit.com](mailto:office@kekelit.com)

[www.kekelit.com](http://www.kekelit.com)

# Specifications

## Article information

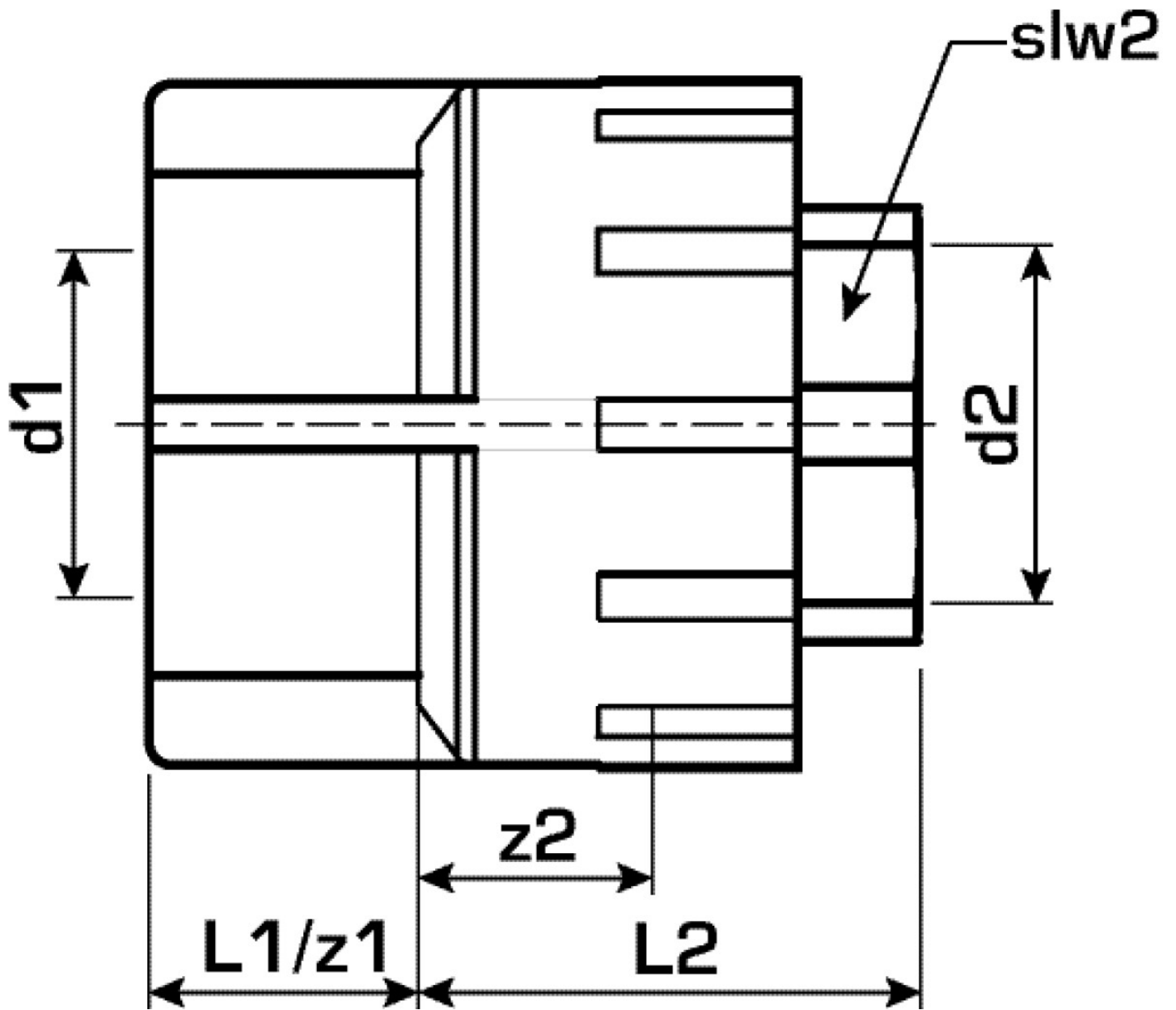
|        |  |
|--------|--|
| port 1 | Plastic welded sleeve                                      |
| port 2 | Internal thread cylindrical BSPT-Rp (ISO 7-1 / EN 10226-1) |
| design | straight   |

## Technical properties

|                                    |        |
|------------------------------------|--------|
| maximum working pressure at 20 ° C | 20 bar |
|------------------------------------|--------|

## Product information

|                     |                             |
|---------------------|-----------------------------|
| VPE1                | 2,00 SA1                    |
| VPE2                | 16,00 KT1                   |
| VPE3                | 64,00 KT2                   |
| VPE4                | 1536,00 PAL                 |
| weight              | 0,3450 KGM                  |
| text                | KELEN PP-RCT adapter female |
| INTRNR              | 39174000                    |
| main material group | KELEN                       |
| material group      | KELEN metal fittings        |
| code                | KE13                        |



| Art. No | label    | d2                 | d1 mm | L1 mm | L2 mm | z1 mm | z2 mm | slw2 mm |
|---------|----------|--------------------|-------|-------|-------|-------|-------|---------|
| 2589001 | 40x5/4"S | 1 1/4 inch<br>(32) | 40    | 26    | 46    | 26    | 28    | 48      |