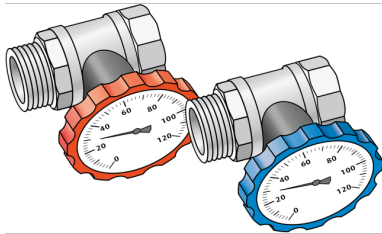


KELOX_{FB}

KM593T KELOX connection ball valve with thermometer 6/4" straight SET

90049050

Areas of application



?Straight connecting ball valves for shutting off 6/4" manifolds, with flat-sealing male thread to the manifold bar, including seal, thermometer from 0-120°C, non-porous metallised brass

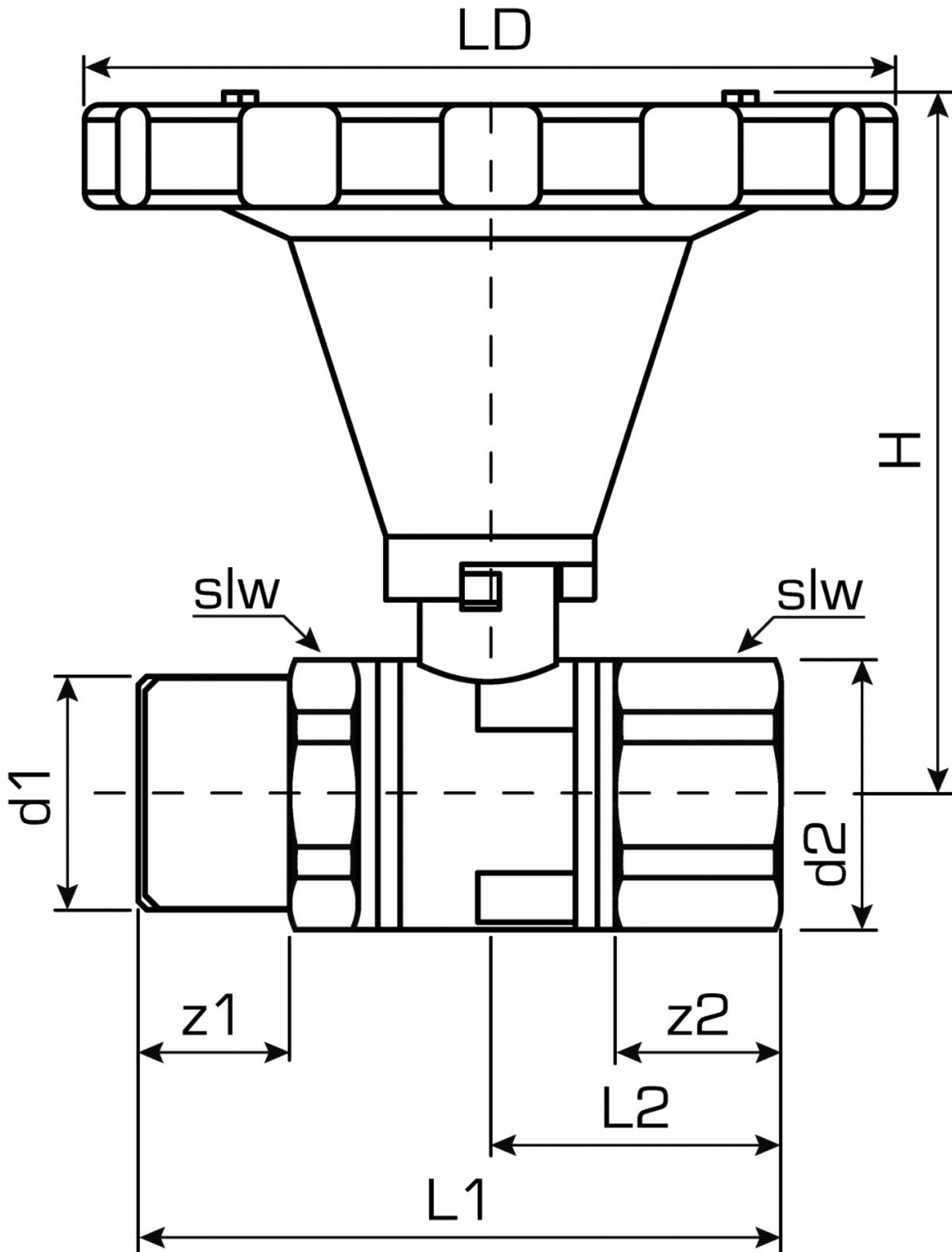
Specifications

Article information

port 1	Außengewinde konisch (NPT)
port 2	Innengewinde Gas zylindrisch (BSPP)
execution	gerade

Product information

VPE1	1,00 KT1
VPE2	10,00 KT2
weight	2,7500 KGM
text	KELOX connection ball valve with thermometer
INTRNR	84818081
code	KM593T



Art. No	label	L1 mm	L2 mm	z1 mm	z2 mm
90049050	6/4" straight SET	95	42	17	15



KE KELIT GmbH

A 4020 Linz, Ignaz-Mayer-Straße 17, Austria, Europe

PHONE +43 (0) 50 779 **E-MAIL** office@kekelit.com

www.kekelit.com