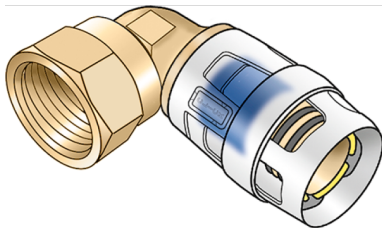


KELOX

KMP467X KELOX-PROTEC CLIX adapter elbow 90° with female thread 32x1"

730216F05

Areas of application



Push-fit adapter elbow with female thread, made of dezincification-resistant brass (DZR), incl. push-fit sleeve made of transparent polyamide with insertion click noise, as well as haptic and optical insertion indicator, O-rings, withdrawal barriers and protector ring as an insertion locking device
DO NOT screw in any threaded pipes and cast iron fittings!

Approvals:



KE KELIT GmbH

A 4020 Linz, Ignaz-Mayer-Straße 17, Austria, Europe

PHONE +43 (0) 50 779 E-MAIL office@kekelit.com

www.kekelit.com

Specifications

Article information

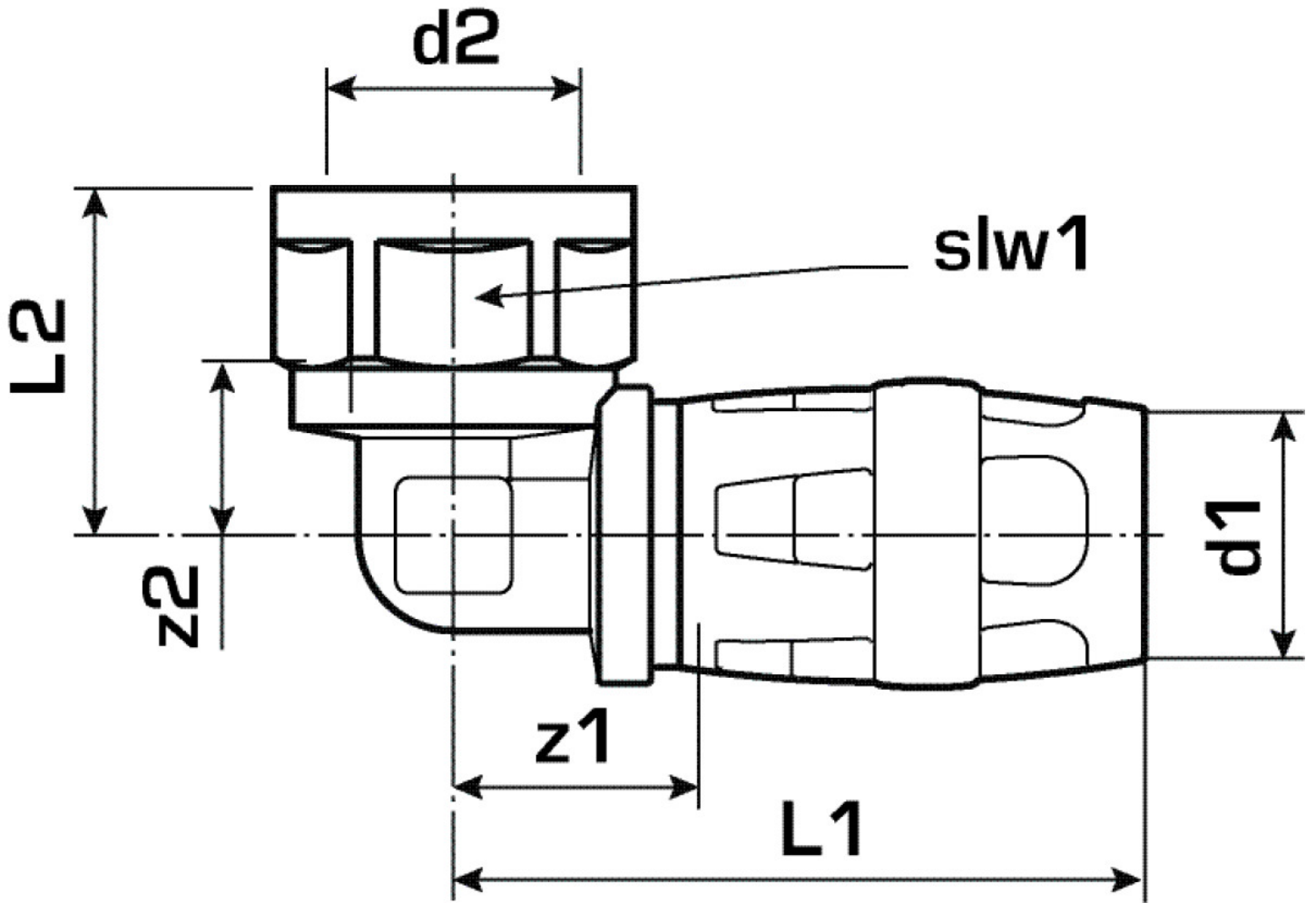
port 1	insert (push-fitting)
port 2	Internal thread cylindrical BSPT-Rp (ISO 7-1 / EN 10226-1)
design	elbow (fitting)
angle	90 °

Technical properties

maximum working pressure at 20 ° C	10 bar
------------------------------------	--------

Product information

VPE1	6,00 SA1
VPE2	48,00 KT1
weight	0,2470 KGM
text	KELOX-PROTEC CLIX adapter elbow 90° with female thread
INTRNR	74122000
main material group	KELOX
material group	KELOX-PROtec pushfittings
code	KMP467X



Art. No	label	d2 Zoll	d1 mm	L1 mm	L2 mm	z1 mm	z2 mm	slw1 mm
730216F05	32x1"	1 Zoll (25)	32	65	38	26	20	38