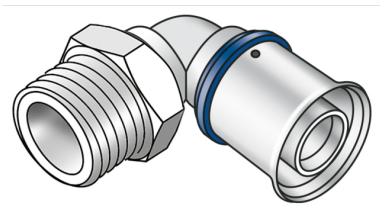


KELOX

KMU460 KELOX-ULTRAX elbow adapter 90° male 25x3/4"

71212E04

Areas of application



Press adapter elbow with male thread for sealing, made of non-porous metallised brass, incl. support sleeves with O-rings and stainless steel press-fit sleeves, "leak before pressed"

Approvals:



Specifications

Article information

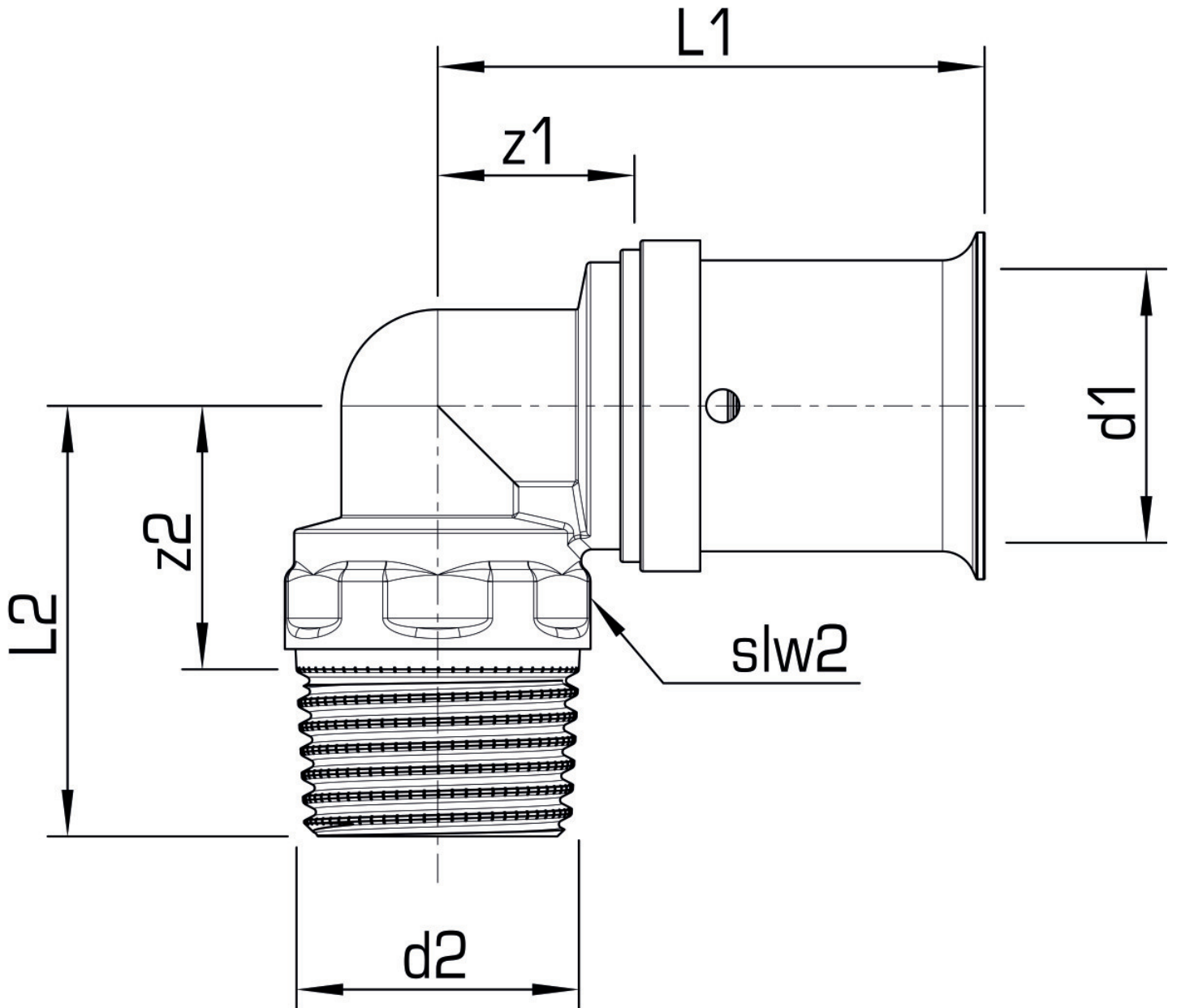
| | |
|---------------|----------------------------|
| port 1 | Pressing socket |
| port 2 | Male thread, conical (NPT) |
| execution | 1-part |
| design | Knee |
| angle | 90 ° |
| press contour | U |

Technical properties

| | |
|------------------------------------|--------|
| maximum working pressure at 20 ° C | 10 bar |
|------------------------------------|--------|

Product information

| | |
|---------------------|-------------------------------------|
| VPE1 | 10,00 SA1 |
| VPE2 | 90,00 KT1 |
| weight | 0,1560 KGM |
| text | KELOX-ULTRAX elbow adapter 90° male |
| INTRNR | 74122000 |
| main material group | KELOX |
| material group | KELOX-ULTRAX metal fittings |
| code | KMU460 |



| Art. No | label | d2 Inches | d1 mm | L1 mm | L2 mm | z1 mm | z2 mm | slw2 mm |
|----------|---------|-----------|-------|-------|-------|-------|-------|---------|
| 71212E04 | 25x3/4" | 3/4" (20) | 25 | 51 | 42 | 18,5 | 28 | 28 |