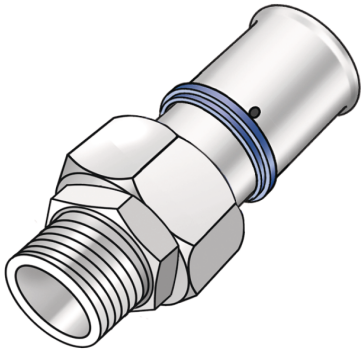


KELOX

KMU451 KELOX-ULTRAX union with male thread 25x1"

71241E05

Areas of application



ULTRAX press-fit union with male thread made from stainless steel, thread as per ÖNORM EN 10226, for connecting to fittings made of non-porous metallised brass; incl. support sleeves with O-rings and stainless steel press-fit sleeves "leak before pressed", flat-sealing including seal

Approvals:



Specifications

Article information

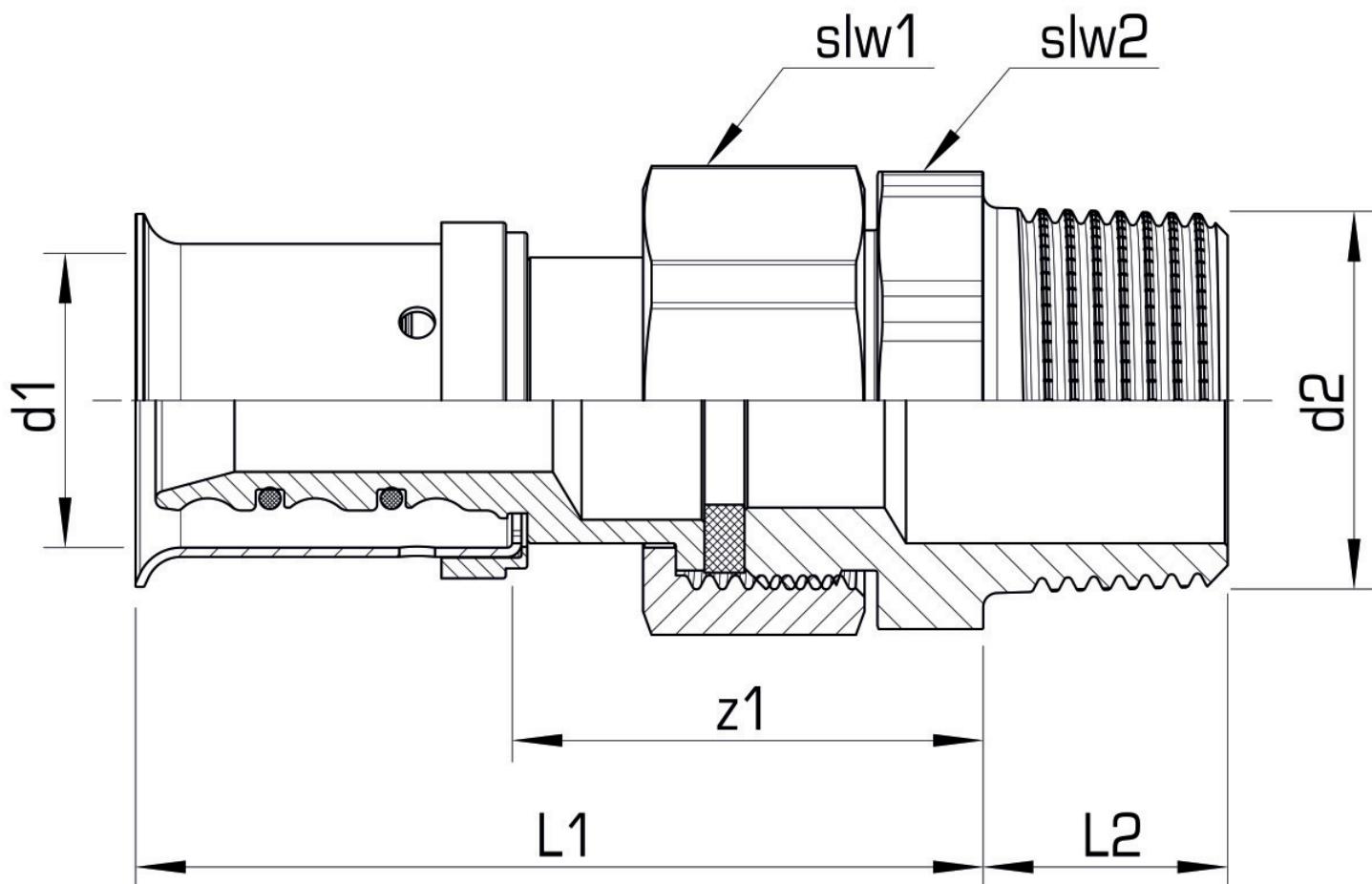
port 1	press sleeve
port 2	Außengewinde konisch (NPT)
execution	2-part
design	straight
press contour	U

Technical properties

maximum working pressure at 20 ° C	10 bar
------------------------------------	--------

Product information

VPE1	10,00 SA1
VPE2	50,00 KT1
weight	0,2270 KGM
text	KELOX-ULTRAX union with male thread
INTRNR	74122000
main material group	KELOX
material group	KELOX-ULTRAX metal fittings
code	KMU451



Art. No	label	d2 Inches	d1 mm	L1 mm	L2 mm	z1 mm	z2	slw1 mm	slw2 mm
71241E05	25x1"	1 inch (25)	25	52	20	21	40	38	39