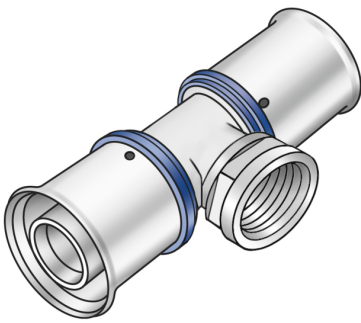


KELOX

KMU447 KELOX-ULTRAX tee with branch, female 32x3/4"

71240F04

Areas of application



Press tee with female thread branch, made of non-porous metallised brass; including support sleeves with O-rings and stainless steel press-fit sleeves; "leak before pressed"

DO NOT screw in any threaded pipes and cast iron fittings!

Approvals:



Specifications

Article information

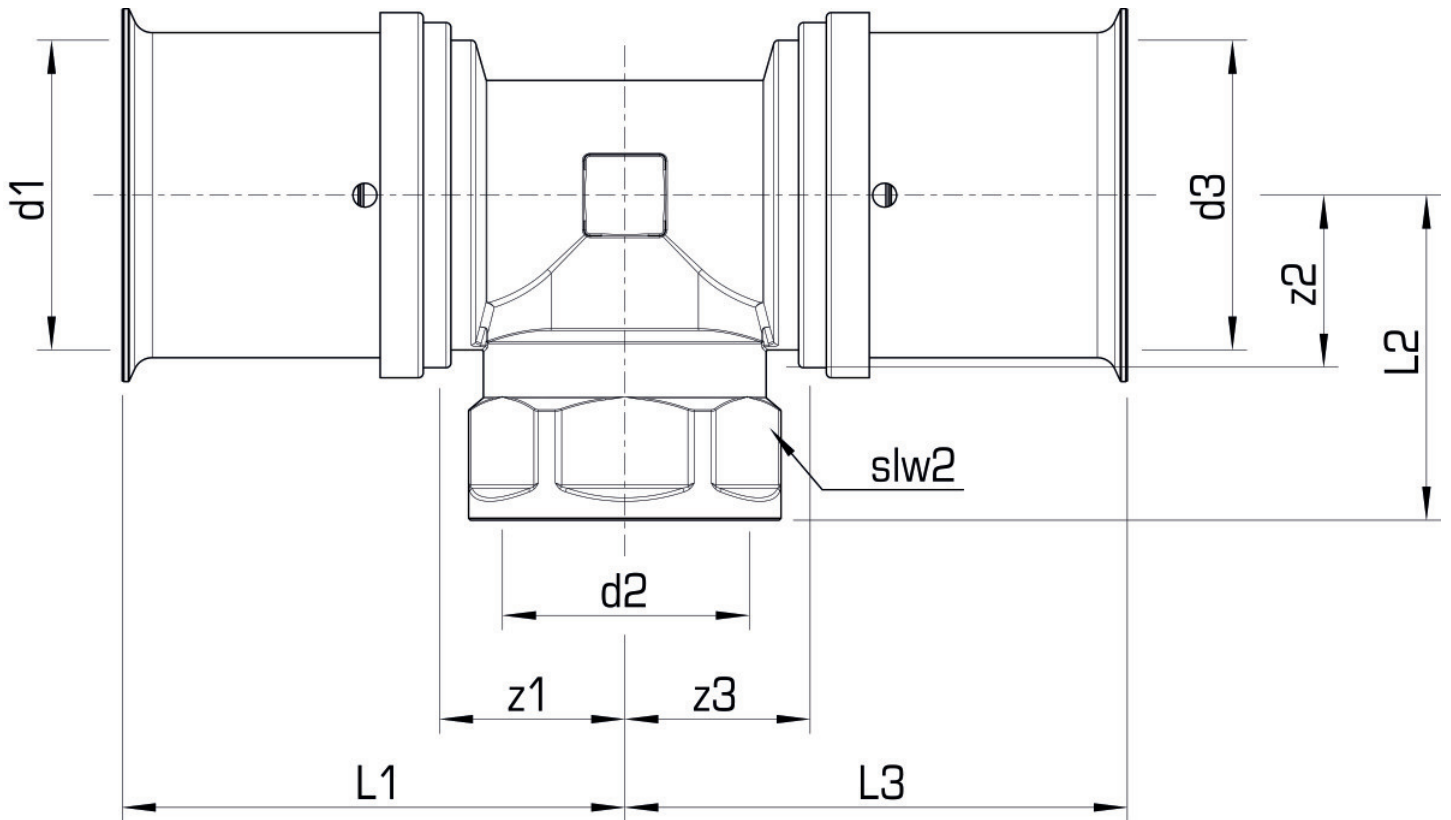
port 1	Pressmuffe
port 2	Internal thread conical (NPT)
port 3	press sleeve
execution	T-piece
angle	90 °
press contour	U

Technical properties

maximum working pressure at 20 ° C	16 bar
------------------------------------	--------

Product information

VPE1	4,00 SA1
VPE2	40,00 KT1
weight	0,2910 KGM
text	KELOX-ULTRAX tee with branch, female
INTRNR	74122000
main material group	KELOX
material group	KELOX-ULTRAX metal fittings
code	KMU447



Art. No	label	d2 Inches	d1 mm	d3 mm	L1 mm	L2 mm	L3 mm	z1 mm	z2 mm	z3 mm	slw1 mm
71240F0	32x3/4"	3/4 inch (20)	32	32	53	34	53	20	20	20	30