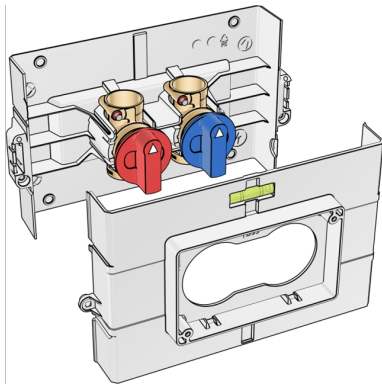


KELOX

K453B2 KELIT flush-mounted drinking water box with 2 shut-offs

26762D00

Areas of application



Flush-mounted sanitary shut-off kit, DN15, with two monoblock ball valves (cold/hot).
For KELOX-PROTEC CLIX quick-push coupling KMP552MX d16 and d20,
pre-assembled in an ABS sandwich box with protection cover,
two fixing brackets and integrated spirit level on the cover.

Housing dimensions:

Length: 217mm

Width: 136mm

Depth: 75mm



KE KELIT GmbH

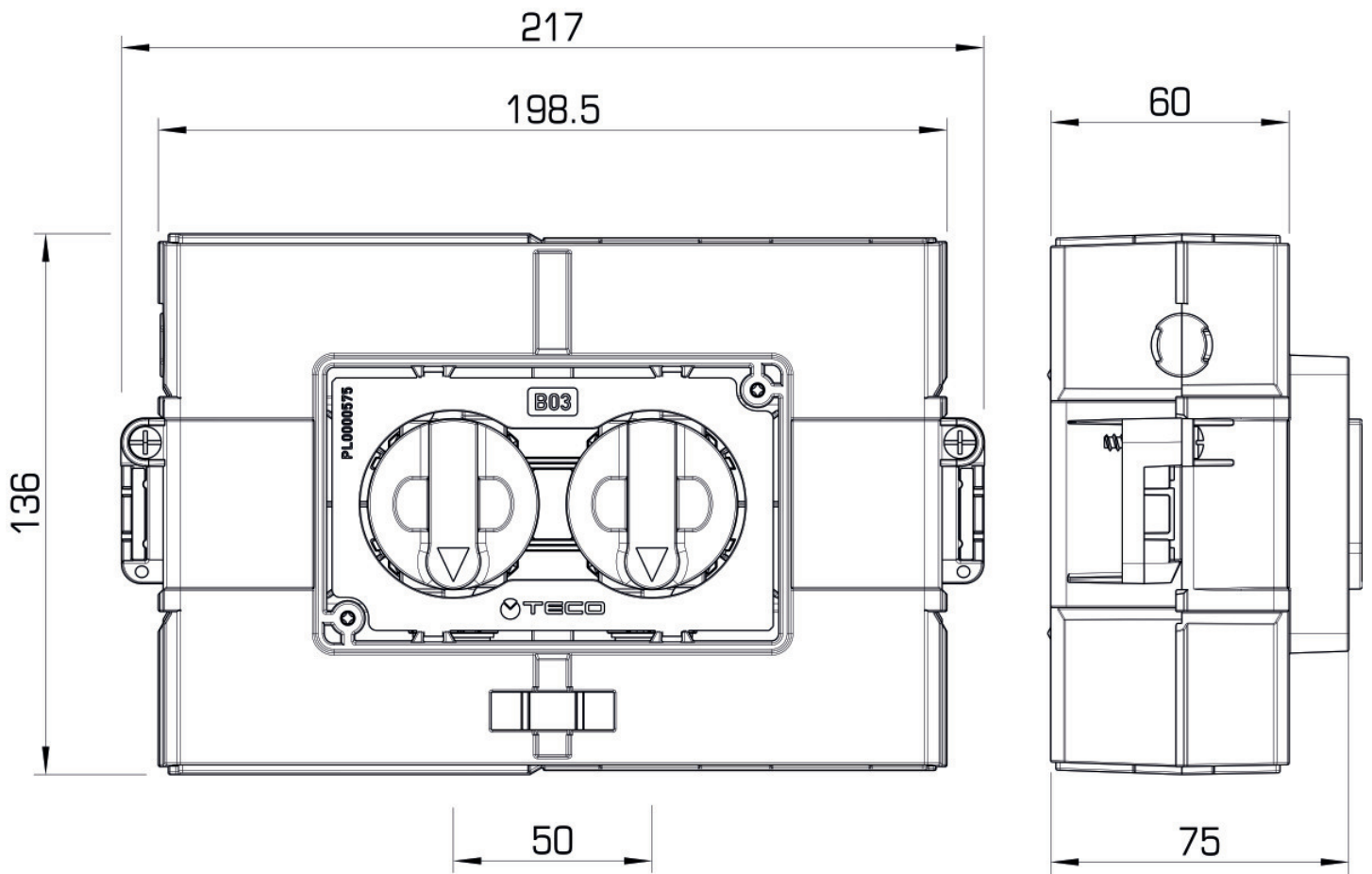
A 4020 Linz, Ignaz-Mayer-Straße 17, Austria, Europe

PHONE +43 (0) 50 779 E-MAIL office@kekelit.com

www.kekelit.com

Specifications

| Product information | |
|---------------------|--|
| VPE1 | 1,00 KT1 |
| VPE2 | 6,00 KT2 |
| weight | 0,8500 KGM |
| text | KELIT flush-mounted drinking water box |
| INTRNR | 74122000 |
| main material group | KELOX |
| material group | KELOX accessories |
| code | K453B2 |



Art. No

label

26762D00

with 2 shut-offs