

# KELOX

## KM138 KELOX Lambda Plus pipe 20 16x2

75211618

### Areas of application



KELOX multilayer pipe conforming to ÖNORM EN ISO 21003, oxygen- and water vapour diffusion-tight 5-layer PE-RT/Al/PE-RT composite pipe, with factory-applied 16mm closed-cell, CFC-free soft foam insulation material, free from halogenated or partially halogenated blowing agents and hexabromocyclododecane (HBCD), dimpled structure for sound insulation and protective jacket made from viscoplastic electronically cross-linked PE film

Classification of the operating conditions in accordance with ÖNORM EN ISO 21003

Sanitary application - Class 2: 70°C - tmax 80°C/10 bar

Radiator connection - Class 5: 80°C - tmax 90°C/10 bar

Based on the improved insulation material quality, the KELOX Lambda Plus pipe 20 according to ÖNORM H 5155 corresponds to an insulation thickness of 20mm with corresponding conversion.

Lambda Plus thermal conductivity - insulation 0.031 W/mK at 10°C

Lambda Plus thermal conductivity - insulation 0.035 W/mK at 50°C

Insulation thickness: 16mm corresponds to 20mm according to ÖNORM H 5155

Density: ~30 kg/m<sup>3</sup>

Water vapour diffusion coefficient of friction of 7,000?

Fire behaviour according to ÖNORM EN 13501-1

Colour: silver

Supplied in coils

## Approvals:



# Specifications

## Article information

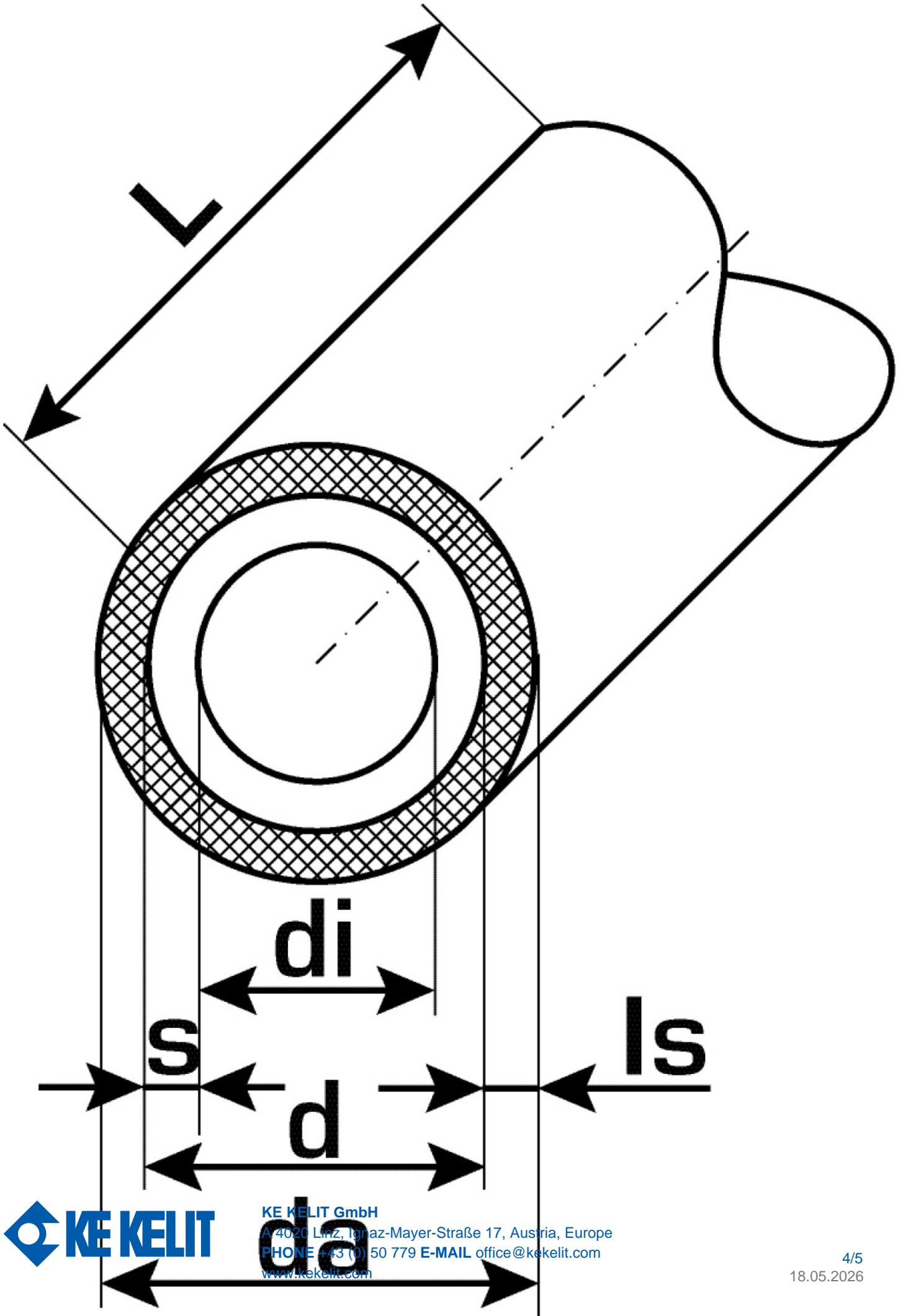
color	weiß
colour isolation	silber
trade length	50 m
isolation	1

## Technical properties

maximum working pressure at 20 ° C	10 bar
thick thermal insulation	16 mm
pipe contents	0,113 l/m
lambda pipe	0,45 W/(m.K)
wall rawness	0,007 mm
expansion coefficient	0,025 mm/(m.K)

## Product information

VPE1	50,00 ROL
VPE2	600,00 PAL
L	50
weight	0,2210 KGM
text	KELOX Lambda Plus pipe 20
INTRNR	39173900
main material group	KELOX
material group	KELOX isolierte pipes
code	KM138



Art. No	label	d1 mm	d Jacket tube mm	pipe contents l/m	s mm
75211618	16x2	16	48	0,113	2



**KE KELIT GmbH**

A 4020 Linz, Ignaz-Mayer-Straße 17, Austria, Europe

**PHONE** +43 (0) 50 779 **E-MAIL** [office@kekelit.com](mailto:office@kekelit.com)

[www.kekelit.com](http://www.kekelit.com)