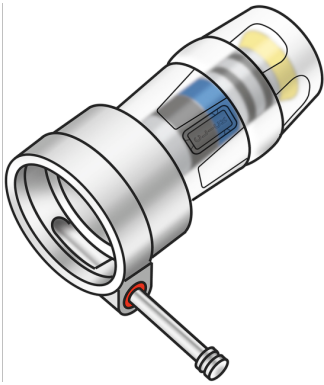


KELOX_{FB}

KMP552X KELOX-PROTEC CLIX quick-push coupling 20

730175D00

Areas of application



?Quick-push coupling, made of non-porous metallised brass, fits FB manifolds KMP590E, KMP590D and KMP590Z, incl. support sleeves with insertion click noise, as well as haptic and optical insertion indicator, O-rings, withdrawal barriers and protector ring as an insertion locking device

Approvals:



Specifications

Article information

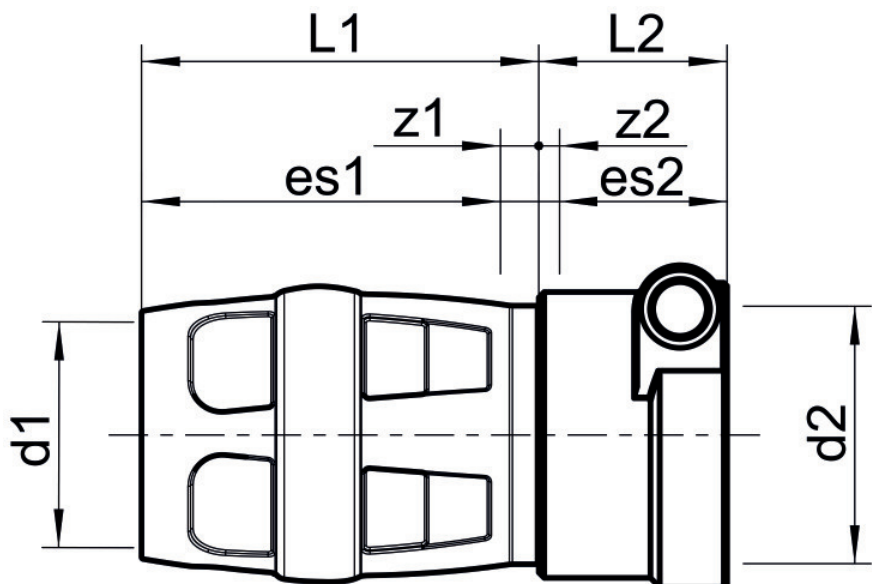
port 1	insert (push-fitting)
port 2	Bayonet
execution	1-part
design	straight

Technical properties

insertion depth 1 (es1)	33 mm
maximum working pressure at 20 ° C	10 bar
PN	PN 10

Product information

VPE1	10,00 SA1
VPE2	180,00 KT1
weight	0,0080 KGM
text	KELOX-PROTEC CLIX quick-push coupling
INTRNR	74122000
code	KMP552X



Art. No	label	d1 mm	d2 mm	L1 mm	L2 mm	z1 mm	z2 mm	insertion depth 1 (es1) mm	Insertion depth 2 (es2) mm
730175D00	20	20	24	36	17	4	2	33	15