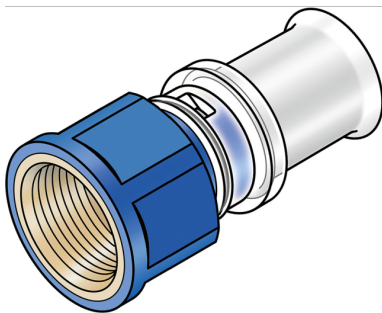


KELOX

KWW457 KELOX-WINDOW-W Übergang mit IG

72406D04

Areas of application



Zeta value optimized press adaptor with female thread, made of PPSU, incl. support sleeves with O-rings and stainless steel press sleeves, "unpressed leaking", acoustic leakage signal during air pressure test

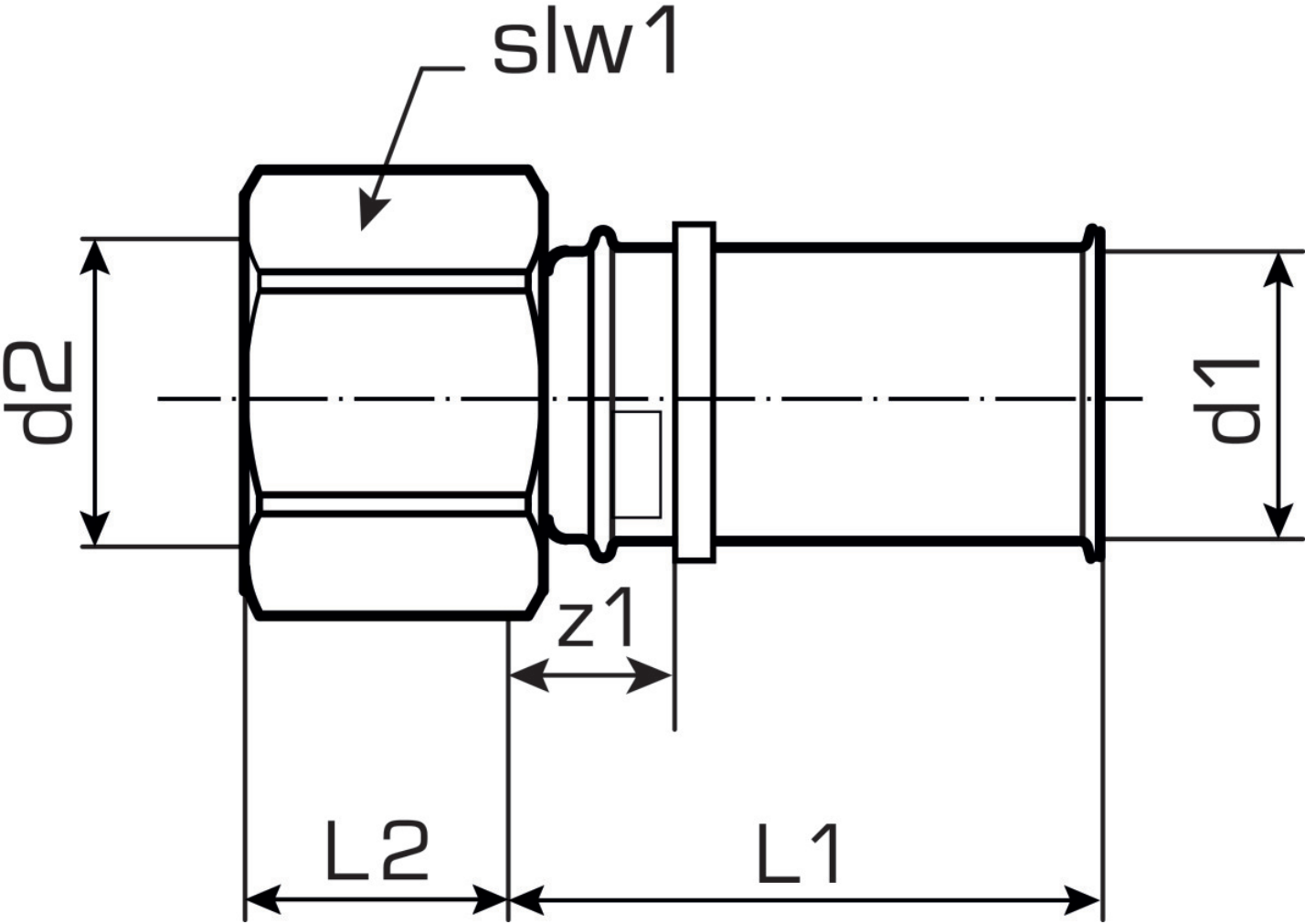
Do NOT screw in threaded pipes and malleable cast iron fittings!

Do NOT use liquid sealants!

Approvals:



Specifications



Art. No

72406D04



KE KELIT GmbH
A 4020 Linz, Ignaz-Mayer-Straße 17, Austria, Europe
PHONE +43 (0) 50 779 **E-MAIL** office@kekelit.com
www.kekelit.com