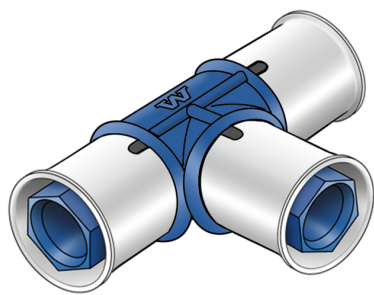


KELOX

KWU440 KELOX-WINDOWX-U tee 50/25/50

72610HEH

Areas of application



?Press tee equal or reduced, made of Windox PPSU, incl. support sleeves with O-rings and stainless steel press-fit sleeves, "leak before pressed"

Approvals:



KE KELIT GmbH

A 4020 Linz, Ignaz-Mayer-Straße 17, Austria, Europe

PHONE +43 (0) 50 779 E-MAIL office@kekelit.com

www.kekelit.com

Specifications

Article information

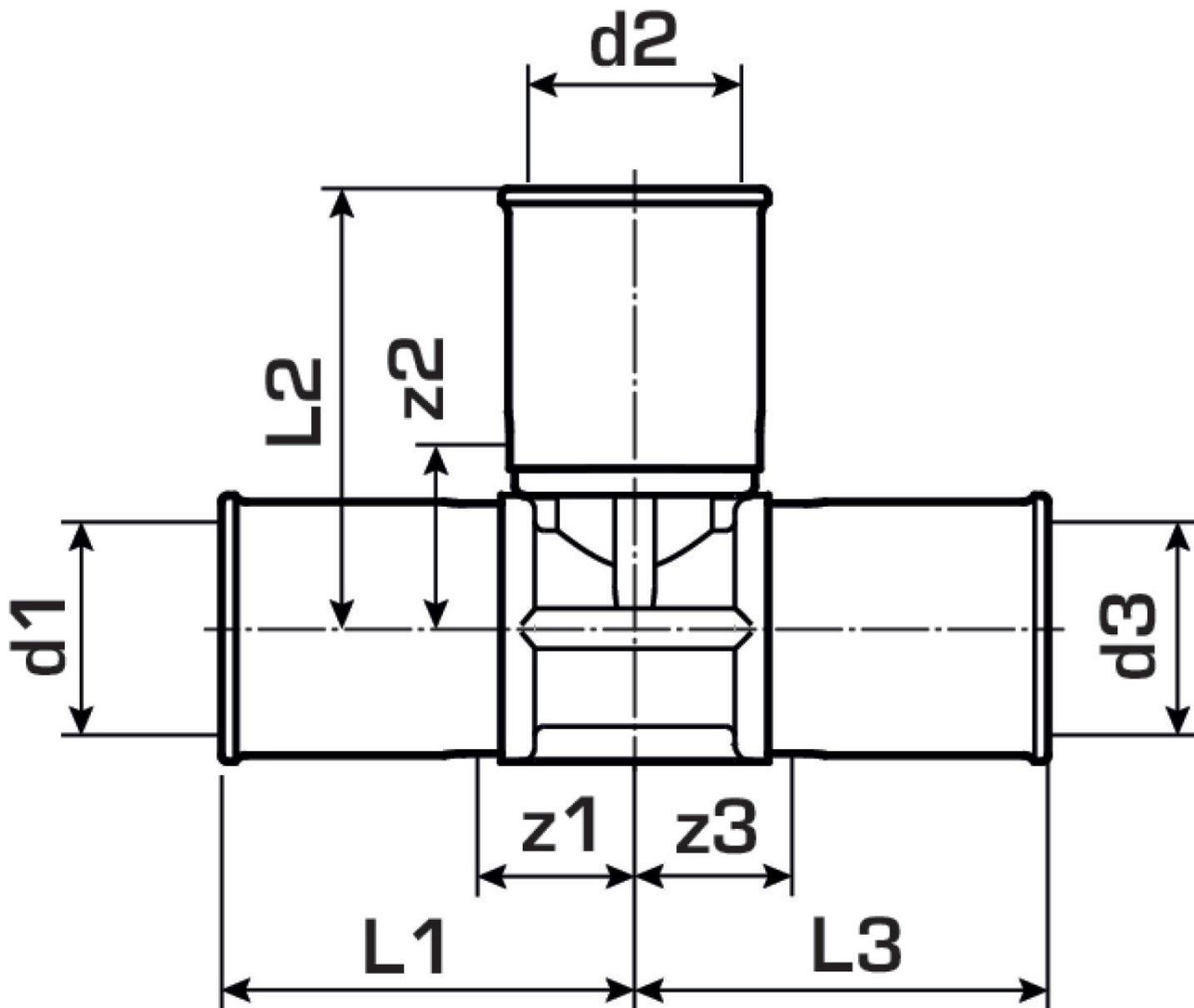
port 1	Pressing socket
port 2	Pressing socket
port 3	Pressing socket
execution	Tee piece
angle	90 °
press contour	U

Technical properties

maximum working pressure at 20 ° C	16 bar
------------------------------------	--------

Product information

VPE1	2 SA1
VPE2	6 KT1
weight	0.244 KGM
text	KELOX-WINDOWX-U tee
INTRNR	39174000
main material group	KELOX
material group	KELOX-WINDOWX-U plastic fittings
code	KWU440



Art. No	label	L1 mm	L2 mm	L3 mm	z1 mm	z2 mm	z3 mm
72610HEH	50/25/50	68	64	68	31	31	31